



**Trailer mounted lift**  
TM16TJ

# Trailer mounted lift TM16TJ

## SPECIFICATIONS



Working Height 16 m

Platform Height 14 m

Horizontal Reach (220 kg) 8 m

Horizontal Reach (80 kg) 10 m



Platform Capacity 200 kg

Slewing 355°

Flyjib 1.3 m

Platform dimensions 1,2x0,8x1,1 m



Platform rotator 2x45°



Transport length (A) 6,90 m

Transport width (B) 1,64 m

Transport height 2,02 m



Total weight: (230V, Honda, wheel assist) ca. 1820 kg

Total weight: (battery 24VDC, wheel assist) ca. 1920 kg

Outrigger footprint (D)  
Outrigger plate outer edge 3,84 m



Gradeability 7%



Max. towing speed 80 km/h

Brake Overrun Brakes with Gas Spring



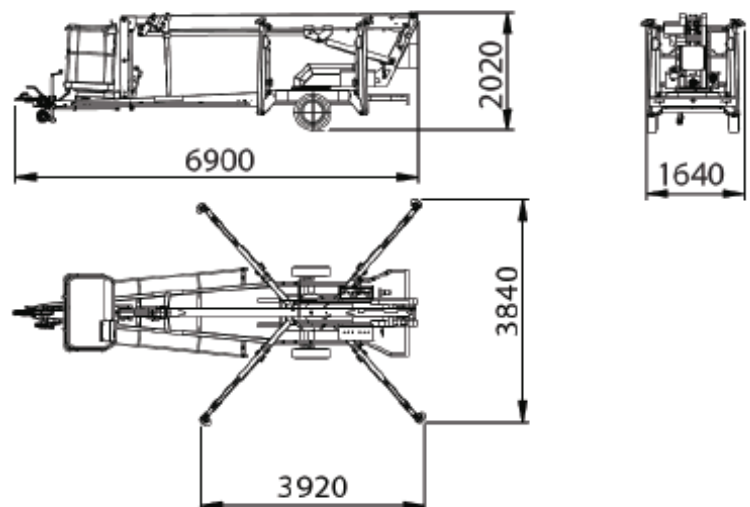
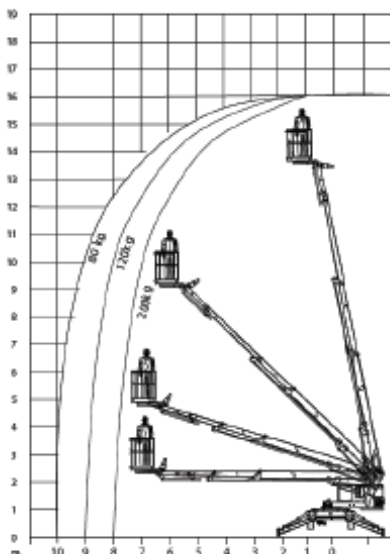
Tyres 215 R 14 C

## STANDARD EQUIPMENT

- 230V & Honda power source
- Straight telescopic superstructure with flyjib 1,3 m
- Hydraulic platform leveling with auto correction at 3°
- Chassis level sensor 1° with acoustic alarm
- Alu basket with wide tool tray, safety handrail and dual harness points
- Proportional electro-hydraulic controls by fingertip joysticks
- Ground pressure sensors on all outrigger plates with audible and visible alarms
- 230V outlet in the basket
- Wheel assist
- Hourmeter
- Ground and upper controls with tarp cover
- Manual recovery with hand pump
- Automatic reverse and overrun brakes
- Colour of the machine: RAL3002 (red)

## OPTIONS

- Custom colour
- Auto chassis level
- Battery power 24V 225 Ah
- G.R.P. basket with tool tray (2 man)
- Outrigger plate pads



[www.instant.no](http://www.instant.no)

**INSTANT**

**Norway**

Tel.: +47 23 19 11 00  
info@instant.no

**Lithuania**

Tel.: +370 5 233 1096  
info@instant.lt

**Latvia**

Tel.: +371 263 58 152  
info@instantlatvija.lv

**Estonia**

Tel.: +372 680 76 33  
info@instant.ee